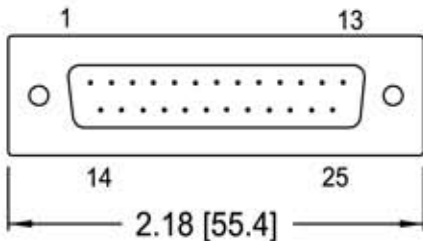
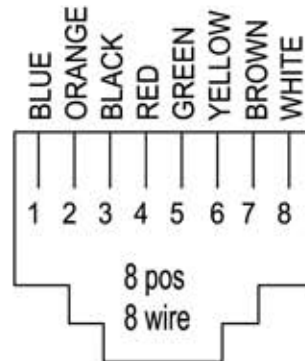
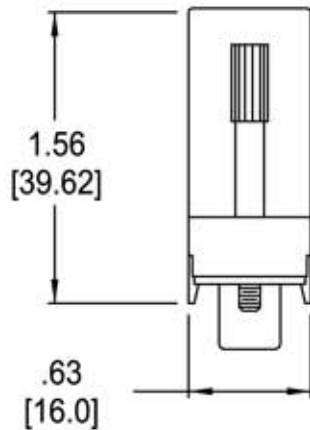


ATRA8FS
FEMALE

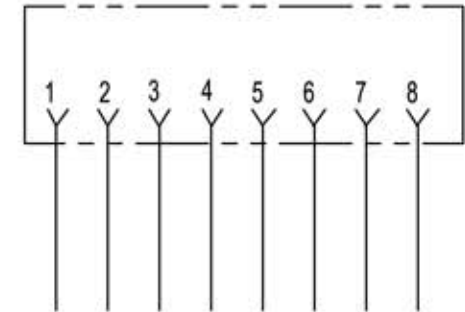


ATRA8MS
MALE

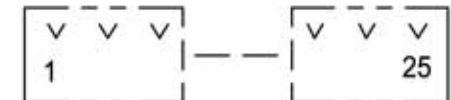


WIRING
BACK VIEW
8 POS 8 COND

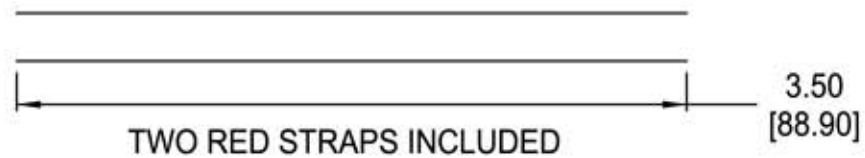
RJ45
8 POS 8 COND.



TO BE CONNECTED
BY CUSTOMER



DB25M OR DB25F
RS232



TWO RED STRAPS INCLUDED

- NOTES:
1. DIM'S ARE REFERENCE.
 2. INCH [mm] DIMENSIONS.
 3. PLASTIC IS METALIZED FOR SHIELDING (EMI).



Allen Tel Products, Inc.
30 TV5 DRIVE • HENDERSON, NV • 89014

ATRA8FS / ATRA8MS
SHIELDED ADAPTER KITS